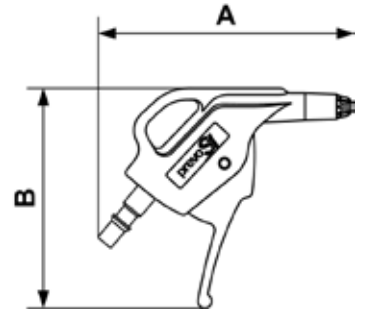


PREVOS1 BLOW GUNS - ISO 6150 C PROFILE

PREVOS1 blow gun with composite nozzle

Profile : ISO 6150C



Buse Silent	Force of blow-molding 165 (G)	Flow rate at 6 bar 0.2 (BAR)	Max. operating pressure 12	Material Polyamide
-----------------------	---	--	--------------------------------------	------------------------------

Part number	Flow rate at 6 bar (l/min)	Sound level (DBA)	Length (m)	Dim. A (mm)	Dim. B (mm)
CBG 06SIL	160	74	0.044	113	97